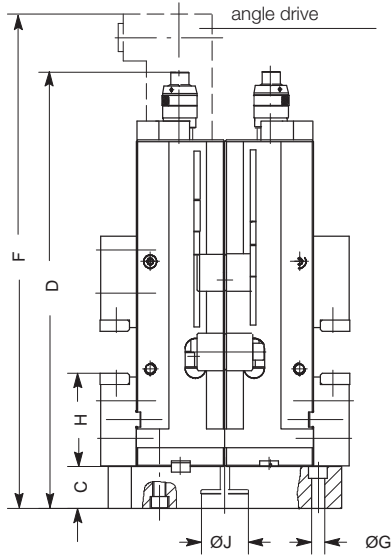
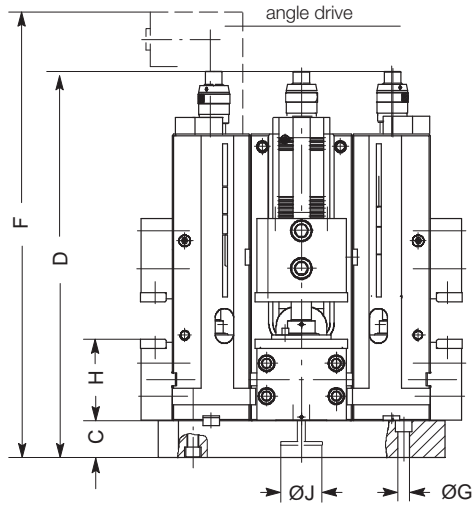


# Duo and Quattro clamping towers RKE / RKE-M

Duo-clamping towers (on request)



Quattro-clamping towers (on request)



**Technical data**

Size	125	160 / 200
Jaw width	125	160
A	250	350
B	250	350
C	45	45
D	508	663
E	200	230
F	578	741
G*		
H	110,5	130
J*		
K*		
L*		
kg	105	200

\* On inquiry insert dimensions please

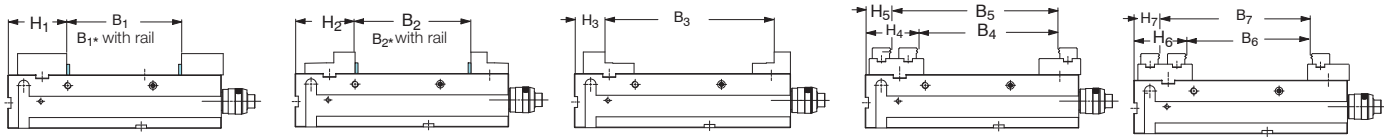
**Technical data**

Size	125	160 / 200
Jaw width	125	160
A	350	400
B	350	400
C	45	45
D	508	663
E	325	392
F	578	741
G*		
H	110,5	130
J*		
K*		
L*		
kg	210	375

\* On inquiry insert dimensions please

Find dual clamp in the sector General accessories.

# Clamping range RKE / RKE-M

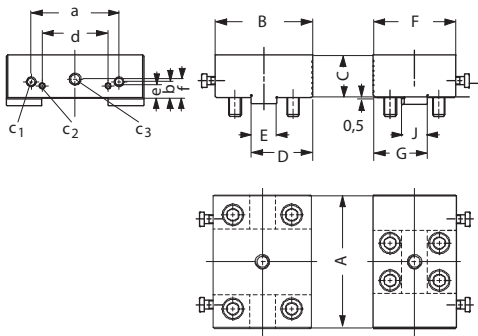


	Standard jaws		Stepped jaws		Carrier jaws with pronged inserts					
	H1	B1 B1* with rail	H2	B2 B2* with rail	H3	B3	H4/H5	B4/B5	H6/H7	B6/B7
Size 125	110,5	0-215	112,5	0-216	56,5	97-312	H4: 98 H5: 48	B4: 50-262 B5: 100-321	H6: 98 H7: 48	B6: 20-232 B7: 70-282
Size 160	130	0-320	130	0-320	64	131-451	H4: 122	B4: 67-383	H6: 122	B6: 18-334

# Clamping jaw dimensions for NC-Compact vices

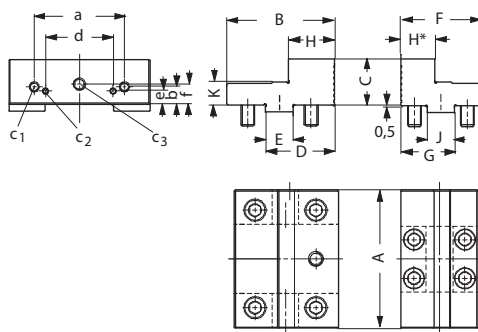
Clamping range RKE

### Standard top jaws - set



Jaw width	125	160	200
Item No.	162628	162629	162984
B	92	100	105
C	40	50	60
D	58	65	65
E <sub>h7</sub>	24	30	30
F	78	100	100
G	51	65	65
J <sub>g6</sub>	24	30	30
a	80	100	125
b	15,6	19,6	24,6
c1	M8	M8	M10
c2	M5	M5	M5
c3	M10	M10	M14
d	60	80	110
e	12	12	12
f	18	20	25

### Stepped jaws - set



Jaw width	92	125	160	200
Item No.	178776	178230	178754	178937
B	64	94	98	103
C	32	40	50	60
D	42	60	65	70
E <sub>h7</sub>	20	24	30	30
F	56	70	97	97
G	38	47	63,5	63,5
H/H*	25/25	40/30	34/32,5	39/32,5
J <sub>g6</sub>	20	24	30	30
K	16	20	25	25
a	63	80	100	125
b	13,6	15,6	19,6	24,6
c1	M6	M8	M8	M10
c2	M5	M5	M5	M5
c3	M10	M10	M10	M14
d	48	60	80	110
e	8	12	12	12
f	14	18	20	25